

AGRICULTURAL IRRIGATION WATER METER



For over 50 years, Automat Group has set the benchmark in manufacturing precision-engineered solutions, offering a seamless blend of innovation, quality, and reliability. From custom-designed parts to advanced sub-assemblies, we have been a trusted partner in ensuring long-term operational excellence across industries.

With decades of engineering excellence, Automat Group continues to deliver trust, precision, and efficiency. As a leader in water management solutions, we now bring our innovation, quality, and reliability to water metering with the introduction of Aqua meter a Dry-Type Multi-Jet Water Meter.

The Aquameter

It features a tangential impeller mounted to resist weeds and solid debris, making it ideal for irrigation and wastewater applications. Its dry-dial with pulse output and vacuum-sealed register ensure clear and long-term readings.

Application

Perfect for precise water measurement in agricultural irrigation and wastewater systems.

Highlights

- Paddle Wheel mounted at the top of the flow cross section not sensitive to weeds and solid debris.
- Dry-dial for easy metering reading equipped for pulse output.
- Vacuum sealed register ensures clear reading in a long-term service.
- Technical data conform to ISO4064 Class-A in horizontal position.
- Very low head-loss.
- Lockable metal register cover and lid.
- High Accuracy:
Lower Zone: $\pm 5\%$ (Q_{\min} up to but excluding Q_t)
Upper Zone: $\pm 2\%$ (Q_t up to and including Q_{\max})

Working condition

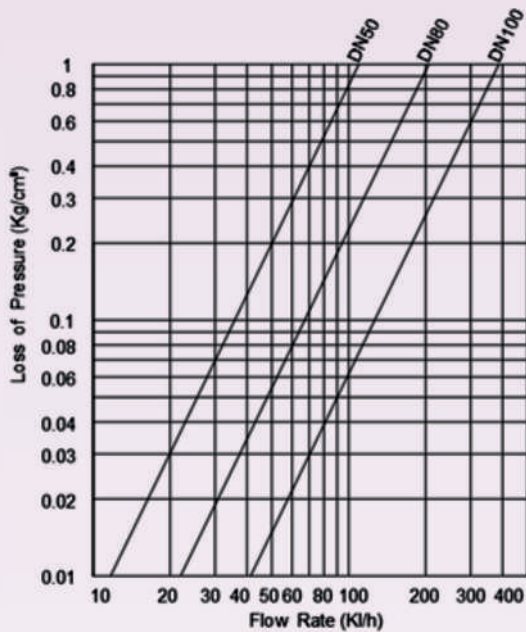
Water temperature:

0.1°C ~ 50°C for cold water meter.

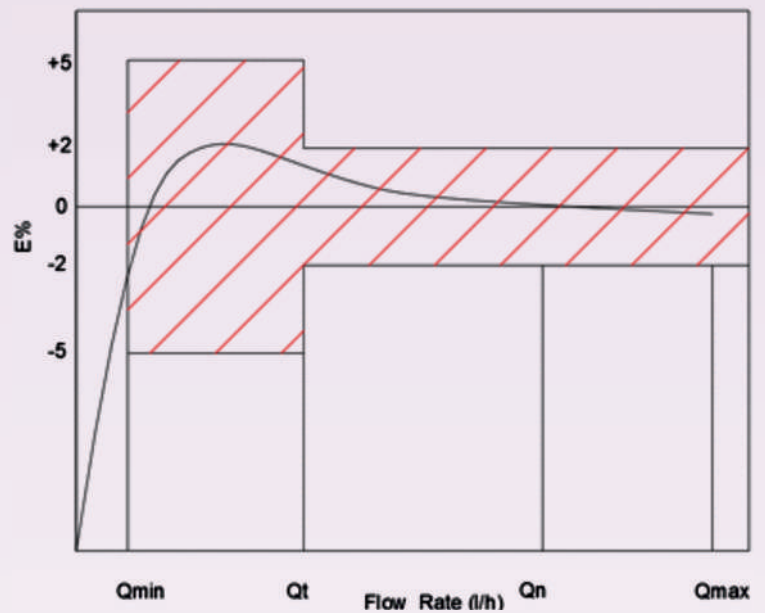
Water pressure: $\leq 1.6\text{Mpa}$

Max head-loss: $\leq 0.1\text{Mpa}$

Head-Loss curve

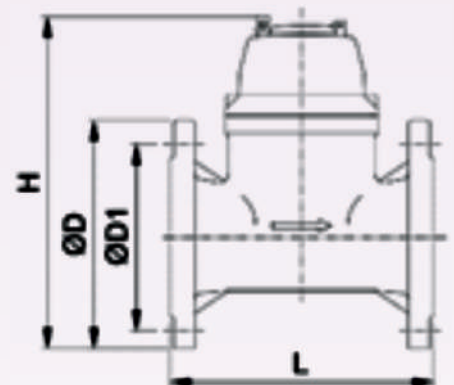


Typical Accuracy Curve



Dimensions

Size	DN	50	80	100
Length	L	200	225	250
Height	H	253	284	295
Flange diameter	D	165	200	220
Bolt Circle diameter	D1	125	160	180
Bolts	nXM	4XM16	8XM16	8XM16



Flow Rates [M³/h]

Size [mm]	50	80	100
qmax.	30	80	120
qn	15	40	60
qt	4.5	12	18
qmin.	1.2	3.2	4.8